



SUPER JACK CP - LYRA 1500

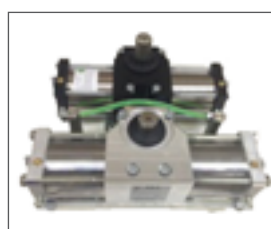
Hydraulic in-ground operator for residential swing leaves with max. leaf length of 5 m or 1500 kg max. weight



Strength control valves



Galvanized steel and polyester painted box (included)



Compact et Super

- ▶ Noiseless and hydraulic reliability
- ▶ Version with separate hydraulic pump unit and hydraulic jack to be connected with copper tubes
- ▶ Cathaphoresis treated steel foundation box included in the operators' code number
- ▶ Super Lyra avec caisson autoportant pour faciliter l'assistance et système de déverrouillage à clé et levier LOCKINTS ou LOCKINTP (accessoire obligatoire)
- ▶ Plus de 35% en plus de couple par rapport au modèle LYRA.
- ▶ Shaft compatible with Jack models

SPECIFICATIONS	LYRA 800 CP
Power supply	230Vac±5% 50/60Hz
Motor Power	220 W
Shaft Stroke	-
Max Cycles/Hour	45
Working T°	-20°C/+55°C
Weight	8 kg
Max leaf length	4,0 m
Opening degrees	100°- 180°
Shaft speed	-
Protection class	7°/sec
Starting capacitor	IP67
Max thrust	12,5µF
Angular speed	560 Nm

■ GATE 2 DG

- Management of two 230 Vac motors with or without limit switch
- Adjustable pedestrian opening
- Automatic logic (6 modes), semi-automatic (6 modes), dead-man, open and close logic
- Adjustable slowdown in opening and closing for each leaf and direction
- Adjustable motor torque for each leaf and direction
- Working times self-learning
- Photocells self-test
- Self-diagnostics
- Settable photocells inputs
- Adjustable courtesy light output up to 4 minutes
- Electrolock management
- Max capacity 800 mA transformer 24V accessories outlet
- Led warning lamp
- Extractable terminals
- Built-in radio decoding for RF UNI (max. 30 users fix code or 800 users rolling code coding)
- Encoder/Amperometric sensitivity adjustment (for electromechanical operators)
- Programming through JOLLY 3
- Number of performances for assistance
- PUSH-OVER function management with optional periodical push over
- 24V Aux output management
- Safety edge management in opening and closing
- Reversing stroke
- Optional external module for traffic light management
- Management of photocells 10K
- Management safety resistive or standard edge
- ...and many other functions



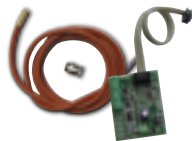
■ ACCESSORIES



Basic release only for JACK CP



Yellow oil for (5 L)



Kit Probe to manage low temperature + card LE + cable 1.8 m

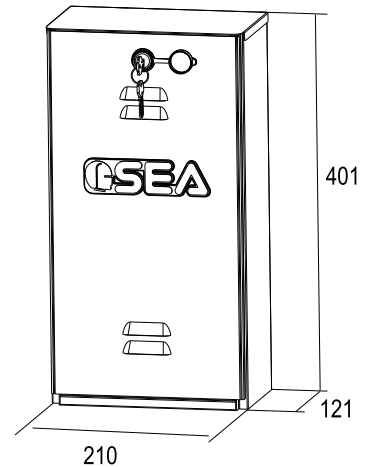


Copper pipe Ø 8 (1 m)



Flexible pipe Ø 8 (2 pcs - 2,5 m)

DIMENSIONS (mm)



Adjustable mechanical stops in opening and closing only for JACK CP



Stainless Steel lid 2,5 mm



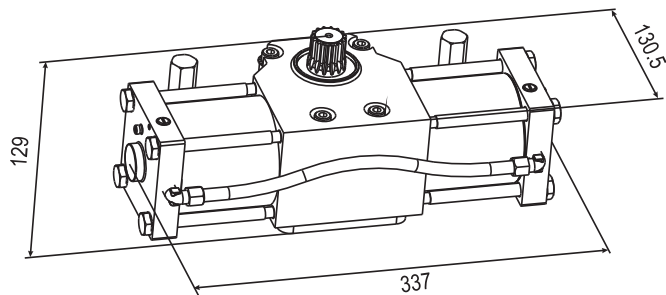
Rotary absolute encoder



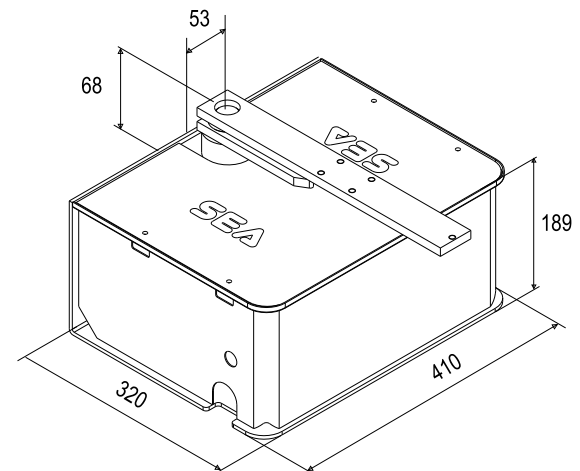
Release PLUS with cylinder and key for JACK CP



Basic release



SUPER JACK CP



SEA S.p.A.

Zona Industriale S. Atto (TE), 64100 - ITALY - Phone. +39 0861 588341- Fax +39 0861 588344

www.seateam.com | info@seateam.com