



FLIPPER 24V

Electromechanical non reversing swing gate operator for large pillars and leaf length up to **2 m** or max. **200 kg** weight



Adjustable mechanical and electronic limit switches in opening and closing
(only for FLIPPER PLUS)

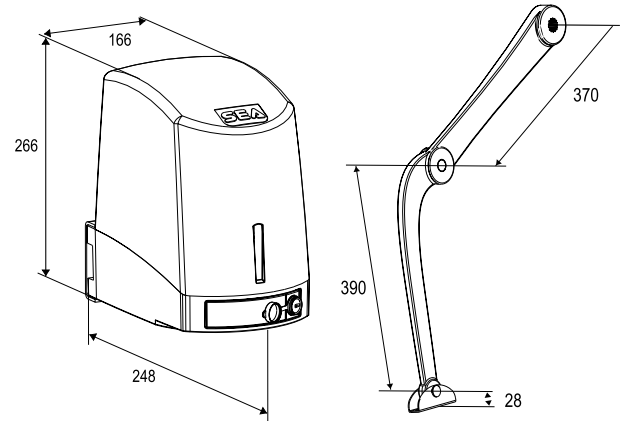


Release system through aluminium lever and safety lock
(only for FLIPPER PLUS)

- ▶ Suitable for installations where the dimension between gate pivot and fixing wall is less than 23 cm
- ▶ Width of max. 16,5 cm for installations in reduced spaces
- ▶ Micro-switch for stop function in case of release activation during service
- ▶ Separate control unit compartment. USER 2-24V DG control unit, programmable with display
- ▶ Emergency batteries and solar panel KIT SUNNY for recharge can be applied

SPECIFICATIONS	FLIPPER 24V
Power supply	230Vac±5% - 50/60Hz
Motor Power	40W
Shaft Stroke	400 mm
Max Cycles/Hour	20
Working temperature	-20°C /+ 50°C
Weight	8 kg
Max leaf length	2 m
Opening degrees	110°
Shaft speed	12° / sec
Protection class	IP24

DIMENSIONS (mm)



ACCESSORIES



Battery kit with box



Palm for Control Unit DG functions management



kit mechanical limit switch in opening and closing for one FLIPPER DOUBLE 24V BASIC



Small batteries for FLIPPER 1,2 AH



DIN Cylinder with variable coding (1 pc)



Microswitch lock for kit FLIPPER DOUBLE 24V BASIC



Battery charger 800 mA with solar panel admin



Kit SUNNY 20W solar panel + control unit ESUN Q + battery 12 Ah



External release kit (with lock case and 2,5 m SS cable)



Sliding arm for opening in case of side wall (for one motor)



Sliding arm for opening in case of side wall (for one motor)