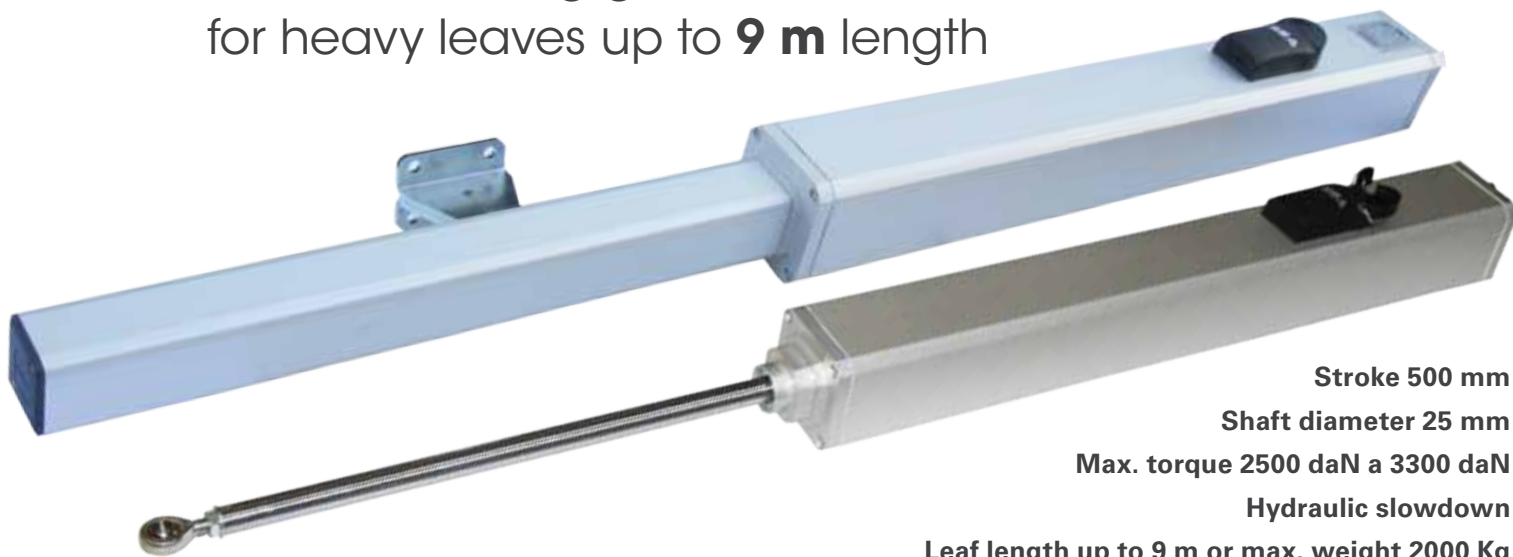




SUPER FULL TANK 500

Hydraulic swing gate operator

for heavy leaves up to **9 m** length



Stroke 500 mm

Shaft diameter 25 mm

Max. torque 2500 daN a 3300 daN

Hydraulic slowdown

Leaf length up to 9 m or max. weight 2000 Kg



Release system protected by metal lock with release key inside



Round joint for stroke adjustment



Front flange in solid aluminium



Rear flange in solid aluminium

Oil lubrication of all mechanical components

Anti crushing guaranteed through by-pass valves for max. thrust setting

Piston stroke 500 mm - 25 mm rod diameter

Standard aluminium oscillating back fixing fork

Ideal for applications in windy sites, heavy duty gate and high security places

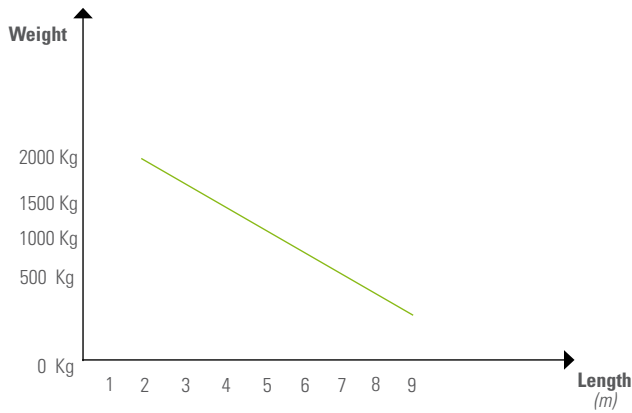
Hydraulic distributor in solid machined aluminium

Gear pump

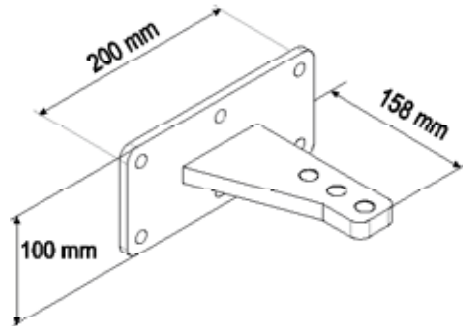
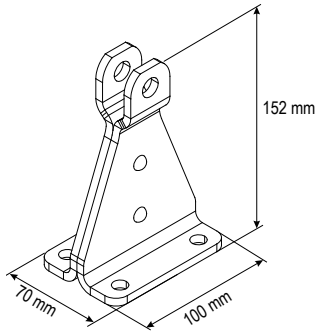
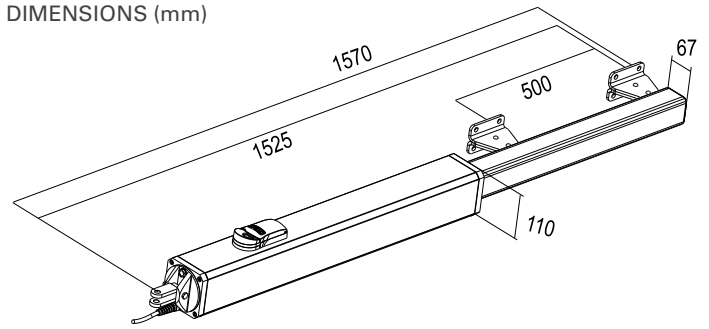
On request version with separated hydraulic unit



■ TECHNICAL DATA



DIMENSIONS (mm)



SPECIFICATIONS	SUPER FULL TANK
Power supply	230Vac±5% - 50/60Hz
Motor Power	310 W
Shaft Stroke	500 mm
Max Cycles/Hour	70
Working temperature	-20°C /+ 60°C
Weight	18 Kg
Max leaf length	9 m
Opening degrees	90° - 125°
Shaft speed	1,2 / 2,0 cm/s
Protection class	IP55
Starting capacitor	16 µF
Max thrust	2500 / 3300 daN

■ ACCESSORIES



Adjustable rear bracket
to screw - 2 pieces



PROBE
Kit Probe to manage low temperature
+ LE unit + 1,8 m cable

■ ELECTRONIC CONTROL UNITS

■ UNIGATE 2I (INVERTER management)

- Bidirectional and Linear (Position Gate) Encoder management
- Standard limit switch management (LE card is NO longer required)
- Battery management for emergency function
- Power switching from 90Vac to 265V - 2Ah (1.3 Ah for accessories)
-> the additional Power Supply is no longer necessary
- 2 programmable inputs (GP1 and GP2)
- Programmable timer and integrated UPS
- Connection between Inverter module and module management with USB cable
- 2 programmable output relays (electric lock, traffic light, courtesy light ...) -> SUP device is no longer necessary!
- Verification and control of the accessories charge

 **UNIGATE - I**
INVERTER technology



Advantages:

- *More Cycles/Hour*
- *N.C. inputs protected by 8K2 resistance*
- *Amperometric management for inversion in case of obstacle*
- *Low temperature in intensive cycle*
- *High torque during slowing down*