



HALF TANK

Hydraulic swing gate operator
for condominium use
for leaf lengths up to max **7 METERS**



Metal release system PLUS with lock
(optional for HALF TANK 270)



POSITION GATE Absolute Linear Encoder (optional)



Round joint for stroke adjustment

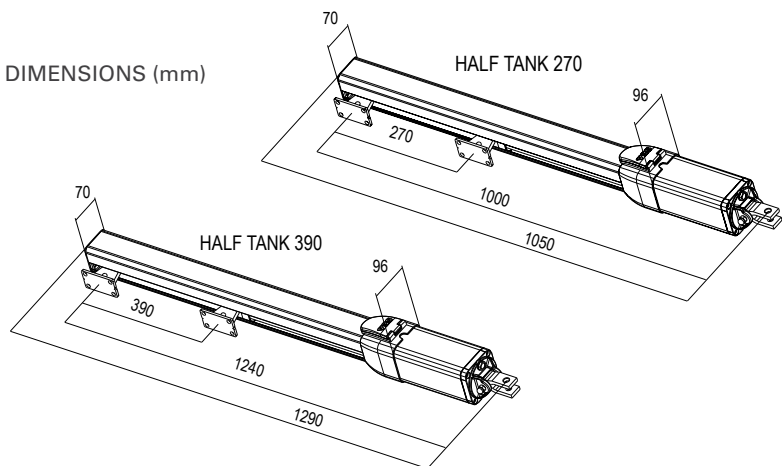


On request versions with hydraulic slowdown for a smooth approach of the leaves in closing

- ▶ Anti crushing guaranteed through by-pass valves for max. thrust setting
- ▶ On request version with hydraulic slowdown only in closing or in opening/closing
- ▶ Standard ball joint on all versions for precise adjustment of the stroke
- ▶ Standard aluminium oscillating back fixing fork
- ▶ Versions: (AC) lock in opening/closing, (SB) without lock, (SC) in closing only, (SA) in opening only
- ▶ 20 mm rod diameter
- ▶ Piston stroke 270 mm or 390 mm
- ▶ Version 390 mm with metal standard release PLUS

TECHNICAL DATA

DIMENSIONS (mm)



SPECIFICATIONS	HALF TANK
Power supply	230Vac±5% - 50/60Hz
Motor Power	220 W
Shaft Stroke	270/390 mm
Max duty cycles	100%(*)
Working temperature	-40°C /+ 60°C
Weight	11,4 / 13,6 Kg
Max leaf length	6,0 / 7,0 m
Opening degrees	90° - 125°
Shaft speed	1 cm/sec - 1,5 cm/sec
Protection class	IP55
Starting capacitor	12,5µF/-
Max thrust	640 daN

ACCESSORIES



Adjustable back bracket to screw
2 pcs



PROBE
Kit Probe to manage low temperature + LE unit + 1,8 m cable



External release with box, lock and 2,5 m SS cable and joint



Green oil (5 liters can)



Kit Positive stops



Nylon mechanical stops in opening



Cylinder with Din Key - 10 encryptions (1 pc)



Bracket for outwards opening L 400 mm (2 pcs)



INOX Back/Front brackets Kit



HTLOCKP Metal release PLUS with joint and DIN lock for max. safety



POSITION GATE *
KIT Absolute linear encoder with extrusion

ELECTRONIC CONTROL UNITS

GATE 2 DG

- Electronic control unit for two 230V operators management



(*) Combined with UNIGATE

UNIGATE 2I (INVERTER management)

- Bidirectional and Linear (Position Gate) Encoder management
- Standard limit switch management (LE card is NO longer required)
- Battery management for emergency function
- Power switching from 90Vac to 265V - 2Ah (1.3 Ah for accessories) -> the additional Power Supply is no longer necessary
- 2 programmable inputs (GP1 and GP2)
- Programmable timer and integrated UPS
- Connection between Inverter module and module management with USB cable
- 2 programmable output relays (electric lock, traffic light, courtesy light ...) -> SUP device is no longer necessary!
- Verification and control of the accessories charge

Advantages:

More Cycles/Hour

N.C. inputs protected by 8K2 resistance

Amperometric management for inversion in case of obstacle

Low temperature in intensive cycle

High torque during slowing down

UNIGATE - I
INVERTER technology



SEA AUTOMATISMES FRANCE SARL
4 RUE PAUL VILLARD, 69680 CHASSIEU - FRANCE
www.seateam.com | info@seafrance-automatismes.fr