



# MERCURY 400/600/800 Kg

Gearmotor for residential (**230V version**)  
or semi-intensive use (**24V version**)



Possibility of LED light application on all models (optional)

Release system through metal lock

Special cataphoresis treatment (400 - 600 - 800 versions)

- ▶ Die-cast aluminum body with external housing with innovative design
- ▶ Encoder (obstacle detection sensor) for max. operation safety (optional 230V version)
- ▶ Electronic anti-crushing clutch
- ▶ Mechanical or magnetic limit switch (MAG version)
- ▶ Optional micro-switch on release lever
- ▶ Adjustable slowdown in opening and closing
- ▶ Emergency batteries and solar panel KIT SUNNY for recharge can be applied
- ▶ Version No Limits without limit switch

SPECIFICATIONS	MERCURY 400-600-800 24 V	MERCURY 400-600-800 230V
Supply voltage	230Vac±5% 50/60Hz	230Vac±5% 50/60Hz
Motor Power	80W - 110W - 130W	320W - 360W
Opening speed	adjustable	0,15 m/s
Frequency on use	40%	25%
Operating T°	-20°C/+55°C	-20°C/+55°C
Max torque	0- 20 Nm (400) 0-30 Nm (800)	18 Nm (400) 25 Nm (800)
Weight	7,0 /7,5 Kg	6,8/7,2 Kg
Max leaf weight	400--600- 800 Kg	400-600-800 Kg
Anti crushing clutch	Electronic	Electronic
Protection class	IP55	IP55
Limit switch	Mechanical	Mechanical

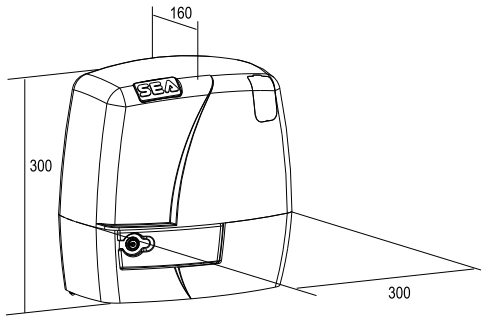
■ USER 1 24DG

Mercury 24V



- Management of one 24V motor
- Adjustable slowdown in opening and closing
- Motor speed adjustment
- Adjustable pedestrian opening
- 24V Led warning lamp
- Differentiated leaf delay for opening and closing
- Working times self-learning
- Encoder management (only for CORONA)
- Programming through Jolly 3
- Adjustable amperometric type inversion on obstacle
- Photocells self-test
- Balanced or standard safety edge management
- Extractable terminals
- Slowdown speed adjustment
- Emergency battery management through optional battery charging card
- Built-in radio decoding for RF UNI (max. 30 users fix code or 800 users rolling code coding)
- Automatic, safety and step by step type 1, step by step type 2, 2 buttons, dead-man logics
- Motor and limit switch inversion (right /left mounting)
- Start in pause setting
- Prepared for Master/Slave function
- Low consumption in standby
- Adjustable courtesy light output up to 4 minutes
- Number of performances before assistance
- Settable photocell inputs
- Max capacity 300mA transformer 24V accessories outlet
- Management of photocells 10K

...and many other functions



DIMENSIONS (mm)

## ACCESSORIES



Battery kit with box



ENC  
Kit Encoder for  
MERCURY 230V



PZ13T Pinion Z13  
for MERCURY



PZ20 Pinion Z20  
for MERCURY



Microswitch on  
release lever for  
stop function



ESUN Q  
Battery charger 800  
mA with solar panel  
admin



Kit SUNNY  
20W solar panel +  
control unit ESUN Q  
+ battery 12 Ah



LED  
Light to be inserted  
in carter



DIN cylinder with  
variable coding



Kit batteries 1.2  
Ah + charger (for  
Mercury 24V)



Device for braking  
the downhill gates  
max 5° slope  
1500 kg



SEA S.p.A.

Zona Industriale S. Atto (TE), 64100 - ITALY - Phone. +39 0861 588341- Fax +39 0861 588344

[www.seateam.com](http://www.seateam.com) | [info@seateam.com](mailto:info@seateam.com)