



JOINT HYDRO

Hydraulic swing gate **operator** for large pillars and leaf up to **6 m** or max **500 kg** weight



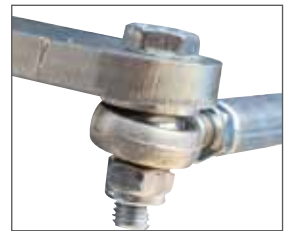
Manual release through door



Control board inside IP55 box



Absolute encoder



Double bearing joint on arm for perfect adjustments

- ▶ Suitable for installation on large columns where the distance D is less 45 mm
- ▶ Speed of 8 sec at 90°
- ▶ Slowdown during opening and closing
- ▶ Integrated control unit UNIGATE Inverter
- ▶ Metal cover with treatment and powder painting
- ▶ Possible configuration Master/Slave
- ▶ In option padmount plate

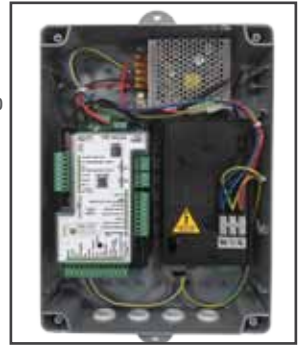
SPECIFICATIONS	JOINT HYDRO
Power supply	230Vac±10% 50/60Hz
Motor Power	280 W
Working temperature	-20°C /+ 55°C
Max leaf length	6 m
Protection class	IP44
Weight	45 kg
Max leaf weight	500 kg
Opening degrees	110°
Encoder	Absolute
Slow down	Electronic
Opening time 90°	8-12 sec.

UNIGATE - I

INVERTER technology

UNIGATE 2I (INVERTER)

- Digital control unit with LCD display
- Adjustable speed through ramps
- Adjustable acceleration/deceleration through ramps
- Continuous motor cycles because it does not heat up
- High strength in slowdown
- Possibility to manage obstacle reverse



Integrated functions on the UNIGATE INVERTER

- 2 relay contacts
- 2 programmable GPIO outputs
- LE card on board for potentiometer
- Relay card on board
- PROBE heater card on board
- Management of two FV inverters for 2 motors or 2 PM modules for 4 motors
- Timer on board with buffer battery and management of 2 time bands
- 2 Ah switching transformer of which about 1,3 Ah free for other accessories

Advantages:

- + Duty cycles
- + Torque
- + Speed (adjustable)
- + one model 90V to 265V

ACCESSORIES



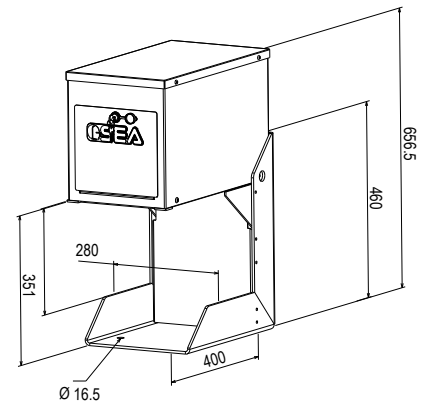
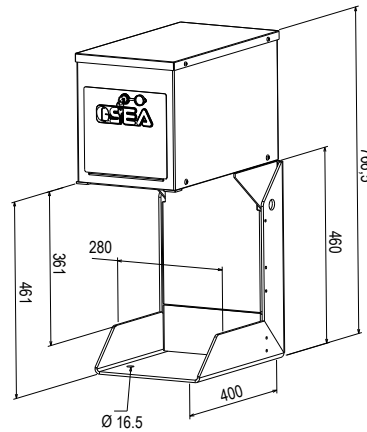
Kit Probe to manage low temperature
+ card LE + cable
1.8 m



Green oil (5 L)



"C" shaped plate for pad mounting for JOINT



DIMENSIONS (mm)

