

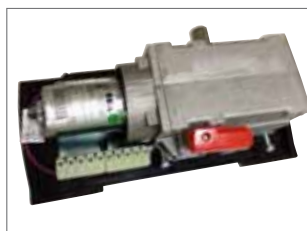


GER

Electromechanical, residential swing gate operator for large pillars and leaf length up to **3 m**



Jointed arm



Internal foto



Release with lock and key

- ▶ Ideal for gates with large pillars
- ▶ Suitable for installations where the dimension between gate pivot and fixing wall is less than 38 cm
- ▶ Release with personalized key
- ▶ Optional stop micro-switch in opening and closing for quick and punctual leaf adjustment
- ▶ Universal right/left operator
- ▶ USER 2 -24V DG external control unit for 24 V
- ▶ UNIGATE Inverter Technology for 230V

SPECIFICATIONS	GER 230V GER 24V
Power supply	230Vac±10% 50/60Hz
Motor Power	200 W / 60 W
Protection class	IP44
Max Cycles/Hour	15 (230V) - 30 (24V)
Working temperature	-20°C /+ 55°C
Weight	11 kg
Max leaf length	3,0 m
Opening degrees	90°- 125°

UNIGATE - I

INVERTER technology

UNIGATE 2I (INVERTER) GER 230V

- Digital control unit with LCD display
- Adjustable speed
- Adjustable acceleration/deceleration
- Continuous motor cycles
- High strength in slowdown
- Possibility to manage obstacle reverse

Integrated functions on the UNIGATE INVERTER

- 2 relay contacts
- 2 programmable GPIO outputs
- LE card on board for potentiometer
- Relay card on board
- PROBE heater card on board



- Management of two FV inverters for 2 motors or 2 PM modules for 4 motors
- Timer on board with buffer battery and management of 2 time bands
- 2 Ah switching transformer of which about 1.3 Ah free for other accessories

Advantages:

- + Duty cycles
- + Torque
- + Speed (adjustable)
- + one model 90V to 265V

ACCESSORIES



Battery kit with box



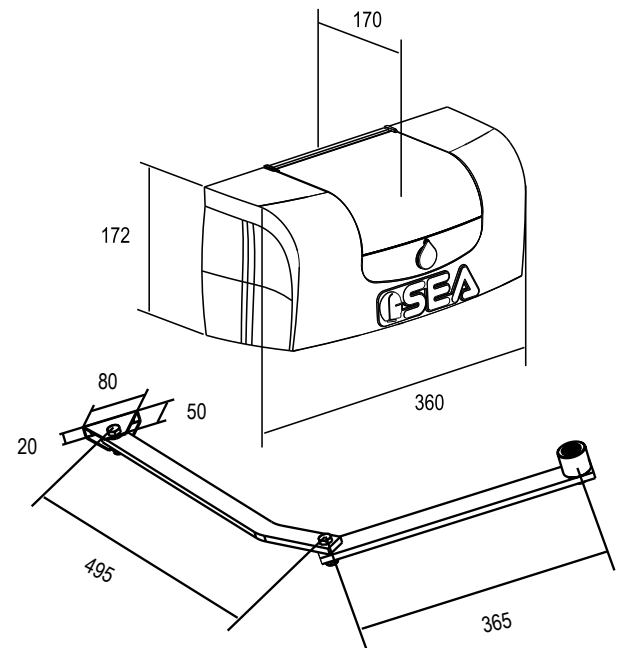
ESUN Q
Battery charger 800
mA with solar panel
admin



Limit switch unit
with micro-switch



Kit SUNNY 20W
solar panel + control
unit E- SUN Q +
battery 12Ah



DIMENSIONS (mm)