



FIELD OIL - FIELD OIL PLUS

Electromechanical underground non reversing operator in oil bath for residential swing leaves with single-leaf length of **3,5 m** or **600 kg** max. weight



Adjustable mechanical stop in opening and closing



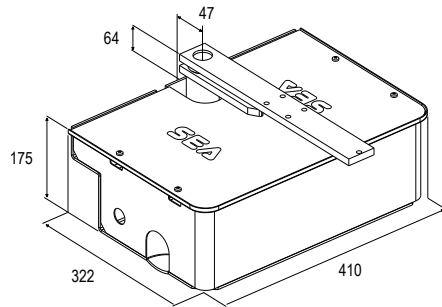
Plus release with lever and security lock

- ▶ Universal right/left
- ▶ Adjustable mechanical stops in closing and opening
- ▶ Optional electronic limit switch kit to be combined with a control unit with limit switch management (GATE 2DG or USER 2-24V DG)
- ▶ On request 180° version with chain transmission
- ▶ Emergency batteries and solar panel KIT SUNNY for recharge can be applied (for FIELD 24V)
- ▶ OIL Plus version with gear crown out of machined steel

SPECIFICATIONS	FIELD 230V OIL PLUS FIELD FAST FAST 24V OIL	FIELD OIL
Power supply	230Vac±5%50/60Hz	230Vac±5%50/60Hz
Motor Power	310 W /400 W /130 W	280 W
Max Cycles/Hour	20/20/50	15
Working temperature	-20°C/+55°C	
Weight	12,5 /12,5/ 13 kg	12 kg
Max leaf length	3,5 / 1,6 / 3 m	3 m
Opening degrees	110 °- 180° optional	
Protection class	IP67	
Opening time	18 / 9/ 14 sec	18 esc
Starting capacitor	10/10/ - µF	10 µF
Max thrust	300/200/300 Nm	250 Nm
Max leaf length	600 kg -300 kg -500 kg	350 kg

■ GATE 2 DG

- Management of two 230 Vac motors with or without limit switch
- Adjustable pedestrian opening
- Automatic logic (6 modes), semi-automatic (6 modes), dead-man, open and close logic
- Adjustable slowdown in opening and closing for each leaf and direction
- Adjustable motor torque for each leaf and direction
- Working times self-learning
- Photocells self-test
- Self-diagnostics
- Settable photocells inputs
- Adjustable courtesy light output up to 4 minutes
- Electrolock management
- Max capacity 800 mA transformer 24V accessories outlet
- Led warning lamp
- Extractable terminals
- Built-in radio decoding for RF UNI (max. 30 users fix code or 800 users rolling code coding)
- Encoder/Amperometric sensitivity adjustment (for electromechanical operators)
- Programming through JOLLY 3
- Number of performances for assistance
- PUSH-OVER function management with optional periodical push over
- 24V Aux output management
- Safety edge management in opening and closing
- Reversing stroke
- Optional external module for traffic light management
- Management of photocells 10K
- Management safety resistive or standard edge
- ...and many other functions



DIMENSIONS (mm)

■ User 2 24V DG

24v Control unit for SWING GATES operators



■ ACCESSORIES

 Battery kit with box	 Yellow oil for (5 L)	 Electronic limit switches (only control units with limit switch)	 Stainless STEEL box	 Cataphoresis treated box	 Kit for opening up to 180° with chain (max leaf opening 2 m)		
 PSFO Mechanical stops in opening for FIELD DOUBLE	 Battery charger 800 mA with solar panel admin	 Kit SUNNY 20W solar panel + ESUN Q + battery 12Ah	 Release PLUS with cylinder and key	 Basic release	 Galvanized lid 2,5 mm	 Stainless Steel lid 2,5 mm	 Rotary absolute encoder

