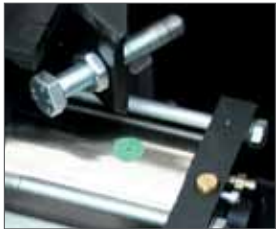




COMPACT 400 - 800

Hydraulic in-ground operator for residential swing leaves with max. leaf length of **4 m** or **800 kg** max. weight



Strength control valves



PLUS release with safety lever

- ▶ Compact version with hydraulic pump and jack
- ▶ Release system on leaf with personalized key (basic release)
- ▶ PLUS release with safety lock and activation lever
- ▶ Adjustable hydraulic slowdown for smooth leaf approach (BRAKE version)
- ▶ Adjustable mechanical limit switch in opening and closing inside the foundation box (optional)

SPECIFICATIONS	COMPACT 400 COMPACT 800
Power supply	230Vac±5% 50/60Hz
Motor Power	220 W
Angular speed	7° sec.
Max Cycles/Hour	45
Working T°	-20°C/+55°C
Weight	11,6/13,8 kg
Max leaf length	3,0 /4,0 m
Opening degrees	140°/180°
Protection class	IP 67
Max leaf weight	400 kg / 800 kg
Starting capacitor	12,5 µF
Max thrust	56 daN

UNIGATE - I

INVERTER technology

■ UNIGATE 2I (INVERTER)

- Digital control unit with LCD display
- Adjustable speed
- Adjustable acceleration/deceleration
- Continuous motor cycles
- High strength in slowdown
- Possibility to manage obstacle reverse

Integrated functions on the UNIGATE INVERTER

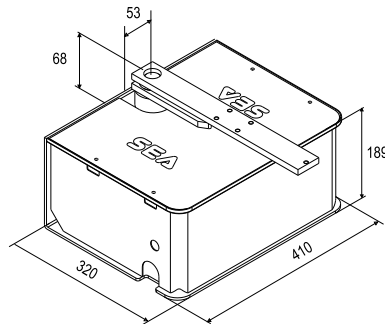
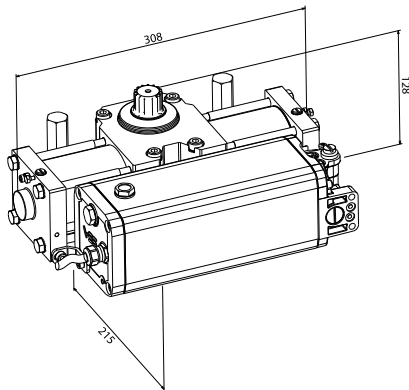
- 2 relay contacts
- 2 programmable GPIO outputs
- LE card on board for potentiometer
- Relay card on board
- PROBE heater card on board



- Management of two FV inverters for 2 motors or 2 PM modules for 4 motors
- Timer on board with buffer battery and management of 2 time bands
- 2 Ah switching transformer of which about 1.3 Ah free for other accessories

Advantages:

- + Duty cycles
- + Torque
- + Speed (adjustable)
- + one model 90V to 265V



DIMENSIONS (mm)

ACCESSORIES



Self-carrying box
in stainless steel



Treated box
(cataphoresis) with
stainless steel lid



Green oil
(5 liters)



Basic release



Kit Probe to manage
low temperature +
card LE + cable 1.8 m



LOCKINTP
Release PLUS with
cylinder and key



Adjustable
mechanical stops in
opening and closing
(2 pcs)



Mech /elec. stop
(2 pcs) for better
slowing down
function and
optimization work
time



Stainless Steel
lid 2,5 mm



Absolute encoder
rotative



SEA S.p.A.

Zona Industriale S. Atto (TE), 64100 - ITALY - Phone. +39 0861 588341- Fax +39 0861 588344

www.seateam.com | info@seateam.com