



# COUGAR OIL S

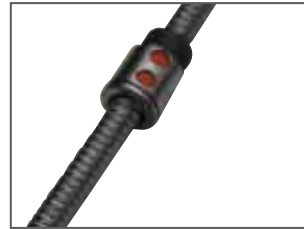
Reversible electromechanical swing gate operator in oil bath for intensive use and for leaf length up to 5 m or max. 400 kg weight



Round joint for stroke adjustment



POSITION GATE  
Absolute encoder  
(optional)



Ball screw



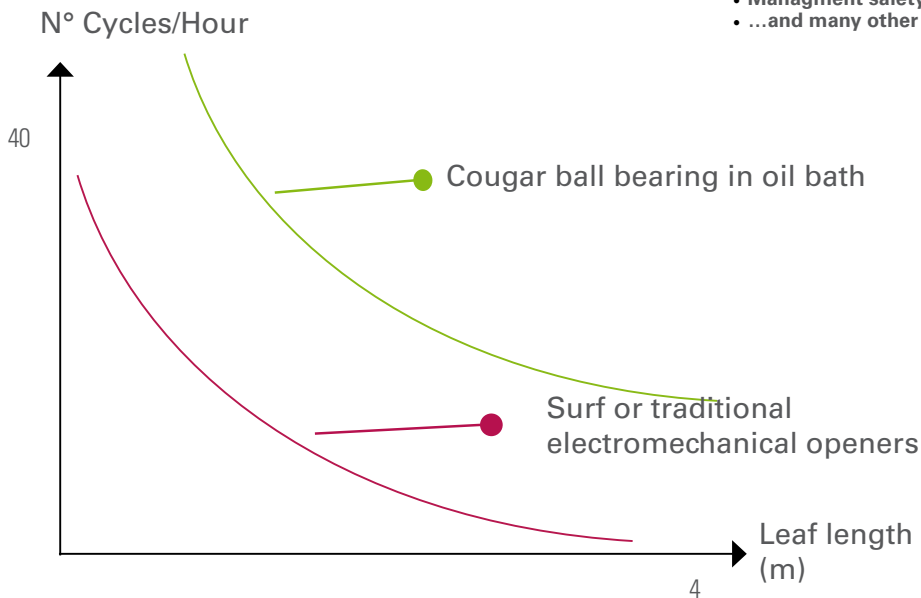
Oscillating back fixing fork

- ▶ Electromechanical reversible swing operator with ball screw for intensive use
- ▶ Lubrication of electric motor (AC), gear reductions end less ball screw in oil-bath
- ▶ Available in two strokes 270 mm and 390 mm
- ▶ Sferic joint on the shaft to allow an easy adjustment on the front bracket
- ▶ Designed for intensive use sites
- ▶ Strong output shaft for heavy gates

SPECIFICATIONS	COUGAR
Power supply	230Vac±5% - 50/60Hz
Motor Power	300 W
Shaft Stroke	270 / 390 mm
Max Cycles/Hour	35
Working temperature	-20°C /+ 50°C
Weight	8 kg
Max leaf length	6, 0 / 7, 0 m
Opening degrees	90° - 110°
Shaft speed	0,9 cm/sec
Protection class	IP55
Starting capacitor	6,3µF
Max thrust	600 daN

## ■ GATE 2 DG

- Management of two 230 Vac motors with or without limit switch
- Adjustable pedestrian opening
- Automatic logic (6 modes), semi-automatic (6 modes), dead-man, open and close logic
- Adjustable slowdown in opening and closing for each leaf and direction
- Adjustable motor torque for each leaf and direction
- Working times self-learning
- Photocells self-test
- Self-diagnostics
- Settable photocells inputs
- Adjustable courtesy light output up to 4 minutes
- Electrolock management
- Max capacity 800 mA transformer 24V accessories outlet
- Led warning lamp
- Extractable terminals
- Built-in radio decoding for RF UNI (max. 30 users fix code or 800 users rolling code coding)
- Encoder/Amperometric sensitivity adjustment (for electromechanical operators)
- Programming through JOLLY 3
- Number of performances for assistance
- PUSH-OVER function management with optional periodical push over
- 24V Aux output management
- Safety edge management in opening and closing
- Reversing stroke
- Optional external module for traffic light management
- Management of photocells 10K
- Management safety resistive or standard edge
- ...and many other functions



DIMENSIONS (mm)

## ■ ACCESSORIES



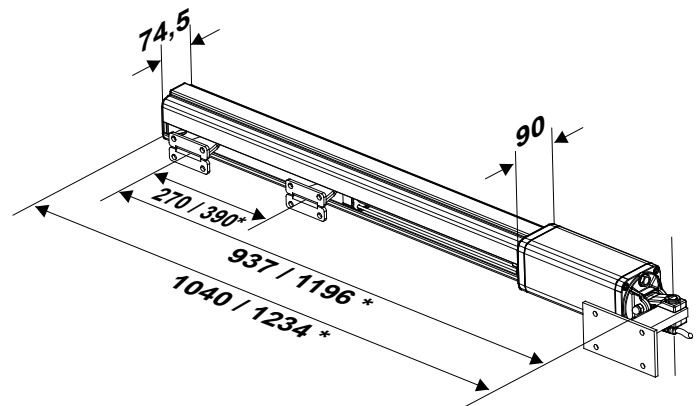
Adjustable back bracket to screw n.2 pcs



Bracket for external opening L 400 mm



KIT Absolute linear encoder



SEA S.p.A.

Zona Industriale S. Atto (TE), 64100 - ITALY - Phone. +39 0861 588341- Fax +39 0861 588344

www.seateam.com | info@seateam.com