



BOXER 1000/2000

Gearmotor in oil bath for sliding gates for condominium or intensive use



Release with aluminium lever and lock



The SATURN OIL versions are with oil lubrication of the gears for max duration



Mechanical twin-disc clutch

- ▶ Powerful, reliable and excellent quality/price ratio
- ▶ All BOXER versions with electric motor and gears in oil lubrication for longer life
- ▶ Highquality mechanical or inductive limit switches
- ▶ Standard, mechanical twin-disc clutch in oil bath on all models (except for BOXER G1)
- ▶ Standard encoder to comply with the rules
- ▶ Foundation plate adjustable in height up to 30 mm and in lateral position up to 40 mm (optional)
- ▶ Control units of GATE series

SPECIFICATIONS	BOXER 1000 - 2000
Supply voltage	230Vac±5% 50/60Hz
Motor Power	350 W / 600 W
Opening speed	0,15 m/s (Z16)
Frequency on use	70%
Operating T°	20°C/+55°C
Max torque	55/70 Nm
Weight	14/15 Kg
Max leaf weight	1000/2000 Kg
Anti crushing clutch	Mechanical
Protection class	IP55
Limit switch	Mechanical - Inductive

UNIGATE - I

INVERTER technology

UNIGATE 2I (INVERTER)

- Digital control unit with LCD display
- Adjustable speed
- Adjustable acceleration/deceleration
- Continuous motor cycles
- High strength in slowdown
- Possibility to manage obstacle reverse

Integrated functions on the UNIGATE INVERTER

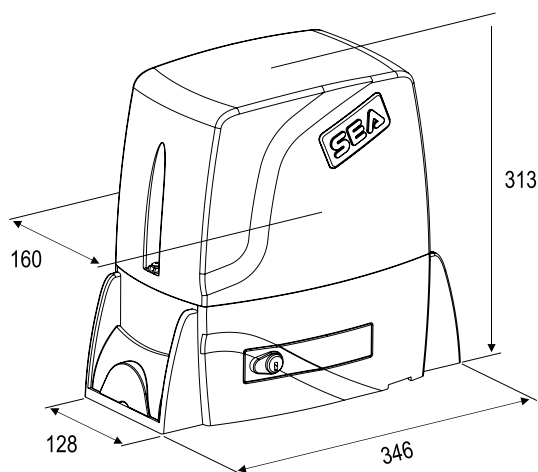
- 2 relay contacts
- 2 programmable GPIO outputs
- LE card on board for potentiometer
- Relay card on board
- PROBE heater card on board



- Management of two FV inverters for 2 motors or 2 PM modules for 4 motors
- Timer on board with buffer battery and management of 2 time bands
- 2 Ah switching transformer of which about 1.3 Ah free for other accessories

Advantages:

- + Duty cycles
- + Torque
- + Speed (adjustable)
- + one model 90V to 265V



DIMENSIONS (mm)

ACCESSORIES



Yellow oil



ENC
Kit Encoder for
Saturn E



PZ13T Pinion Z13



PZ20 Pinion Z20



Microswitch on
release lever for
stop function (for
SATURN G1 and E)



Cover INOX for
external release
to combine with
SECSAT



SECSAT
Box and external
release with cable



DIN cylinder with
variable coding



Adjustable
foundation plate
with bolts/screws



Device for braking
the downhill gates
max 5° slope
1500 kg

