



BIG 4000 INVERTER

Gearmotor in **oil bath** for industrial sliding gates with max. **4000 kg** weight



Mechanical limit switch with lever



Internal photo



Mechanical twin-disc clutch

- ▶ Robust, cataphoresis- treated polyester paint sheet housing for heavy-duty applications of industrial type
- ▶ Mechanical torque controller in oil bath (optional version RT)
- ▶ Special heat treatment of all internal parts for max. industrial operation resistance
- ▶ On request BOX 6000 special version (for sliding gates with max. 6000 Kg weight)
- ▶ Electric brake for optimisation on limit switches position
- ▶ On request special version module 4 (only version with inverter or torque adjuster)
- ▶ BIG 4000 inverter with possibility of slowdown and reverse on obstacle

SPECIFICATIONS	BIG 4000 230V INVERTER
Supply voltage	230/380Vac±5% 50/60Hz
Motor Power	900 W
Opening speed	10 m/min
Frequency on use	60%
Max torque	180 Nm
Operating T°	-20°C/+55°C
Weight	48 kg
Max leaf weight	4000 Kg
Anti crushing clutch	-
Protection class	IP55
Starting capacitor	-
Limit switch	Mechanical with lever

UNIGATE - I *INVERTER technology*

UNIGATE 2I (INVERTER)

- Digital control unit with LCD display
- Adjustable speed
- Adjustable acceleration/deceleration
- Continuous motor cycles
- High strength in slowdown
- Possibility to manage obstacle reverse

Integrated functions on the UNIGATE INVERTER

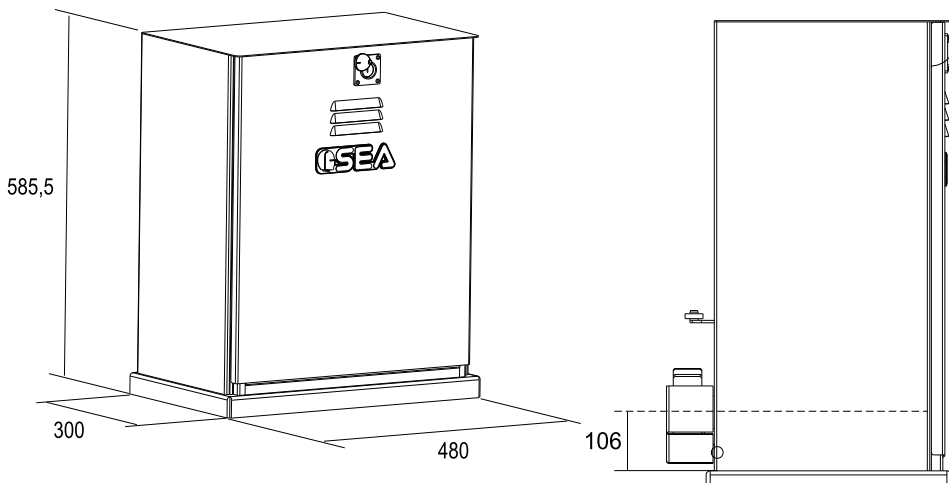
- 2 relay contacts
- 2 programmable GPIO outputs
- LE card on board for potentiometer
- Relay card on board
- PROBE heater card on board
- Management of two FV inverters for 2 motors or 2 PM modules for 4 motors
- Timer on board with buffer battery and management of 2 time bands
- 2 Ah switching transformer of which about 1.3 Ah free for other accessories



Advantages:

- + Duty cycles
- + Torque
- + Speed (adjustable)
- + one model 90V to 265V

DIMENSIONS (mm)



ACCESSORIES



Yellow oil



Pinion Z 12 mod. 6



PZ24M4
Pinion Z 24 mod. 4



Safety microswitch
kit on the door



Stainless steel
cover (option)