



# ALPHA 550

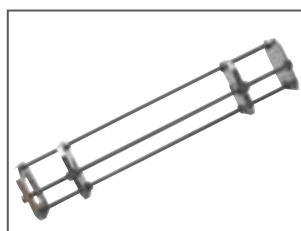
Electromechanical irreversible operator, strong and easy to install



Release with key  
(in option)



Adjustable, electronic  
limit switch (on PLUS  
version on request)



Mechanical positive stop  
on request

- ▶ 230V versions: standard and PLUS (special request)
- ▶ Version 550 for max. leaf length of 5,5 m
- ▶ Stainless steel rod
- ▶ On request version without housing for installations closer to the gate tip
- ▶ Cable and capacitors inside the operator, accessible through front lid
- ▶ Optional oscillating aluminium front bracket for inclined opening
- ▶ Oscillating aluminium fork back fixing

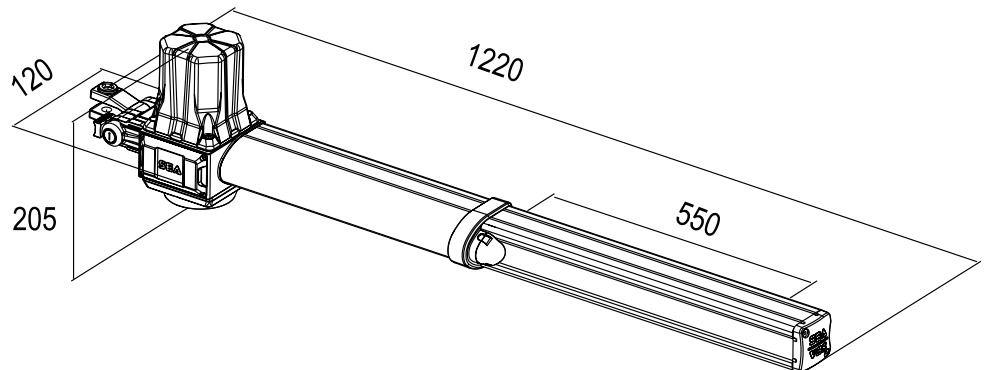
SPECIFICATIONS	ALPHA 550
Power supply	230Vac±5% - 50/60Hz
Motor Power	300 W
Shaft Stroke	550 mm
Max Cycles/Hour	20
Working temperature	-20°C /+ 55°C
Weight	11 kg
Max leaf length	5,5 m
Opening degrees	90° - 120°
Shaft speed	1,7 cm/sec
Protection class	IP54
Starting capacitor	-
Max thrust	350 daN

## ■ GATE 2 DG

- Management of two 230 Vac motors with or without limit switch
- Adjustable pedestrian opening
- Automatic logic (6 modes), semi-automatic (6 modes), dead-man, open and close logic
- Adjustable slowdown in opening and closing for each leaf and direction
- Adjustable motor torque for each leaf and direction
- Working times self-learning
- Photocells self-test
- Self-diagnostics
- Settable photocells inputs
- Adjustable courtesy light output up to 4 minutes
- Electrolock management
- Max capacity 800 mA transformer 24V accessories outlet
- Led warning lamp
- Extractable terminals
- Built-in radio decoding for RF UNI (max. 30 users fix code or 800 users rolling code coding)
- Encoder/Amperometric sensitivity adjustment (for electromechanical operators)
- Programming through JOLLY 3
- Number of performances for assistance
- PUSH-OVER function management with optional periodical push over
- 24V Aux output management
- Safety edge management in opening and closing
- Reversing stroke
- Optional external module for traffic light management
- Management of photocells 10K
- Management safety resistive or standard edge
- ...and many other functions



## DIMENSIONS (mm)



## ■ ACCESSORIES



Adjustable back bracket to screw  
n.2 pcs



Bracket for external opening L 400 mm



Encoder kit for Alpha 230V



Kit mechanical stop



Release key



Aluminium oscillating for Alpha 330 back fixing fork



Oscillating front joint bracket for inclined opening



SEA S.p.A.

Zona Industriale S. Atto (TE), 64100 - ITALY - Phone. +39 0861 588341- Fax +39 0861 588344

[www.seateam.com](http://www.seateam.com) | [info@seateam.com](mailto:info@seateam.com)