

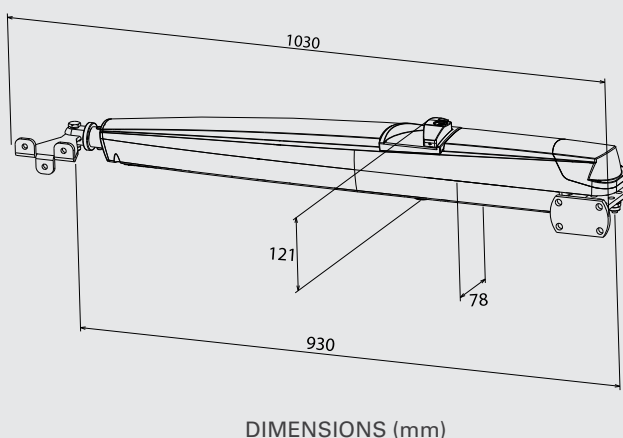
KITE 500 BR (36V)

Electromechanical swing gate operator for leaf length up to **5 m** or max. **500 kg**

- Strong endless screw supported by bearings for max. resistance
- Die-cast aluminium body, weather resistant polyester paint
- Adjustable back fixing with holes
- Adjustable front fixing plate to screw or weld
- Build-in magnetic limit switch



SPECIFICATIONS	KITE 500 BR
Power supply	230Vac±5% - 50/60Hz
Motor power	260 W (36V)
Shaft Stroke	400 mm
Max duty cycles	100 %
Working temperature	-20°C /+ 55°C
Weight	7,5
Max leaf length	5 m
Opening degrees	90° - 120°
Shaft speed	90°/15 sec. max adjustable
Protection class	IP44
Max thrust	3000 N (36V)



Metal gear drive with reinforced screw supported by ball bearings for maximum strength.



Screw with ball bearing

* (NOTE) Duty cycle is calculated as intermittence operating rate (%) on the 1st. hour



BRUSHLESS technology