



SURF 450

Electromechanical swing gate operator for leaf length up to **4,5 m** or max. **400 kg** weight



Metal manual release
(standard series H)



Mechanical/electronic
stops
(standard series H)



Strong metal gear drive
supported by bearings
for max resistance



Metal gears with
bearings

- ▶ Robust, electromechanical operator with die-cast aluminium body, weather resistant, polyester paint
- ▶ Version H equipped with mechanical and electronic limit switches IP67
- ▶ Adjustable back fixing with holes
- ▶ Emergency batteries and recharge solar panel KIT SUNNY (Surf 24V) can be applied
- ▶ Operator with small width for installations also in reduced spaces
- ▶ Reversible version available
- ▶ Strong metal gear supported by bearings for max. resistance
- ▶ On request SURF with external release

SPECIFICATIONS	SURF 450 230V	SURF 450 24V
Power supply	230Vac±5% - 50/60Hz	24VDC
Motor Power	230 W	60 W
Shaft Stroke	400 mm	400 mm
MaxDuty Cycles	100% (UNIGATE)	50 %
Working temperature	-20°C /+ 55°C	-20°C /+ 55°C
Weight	8 kg	8 kg
Max leaf length	4,5 m	4,5 m
Opening degrees	90°- 120°	90°- 120°
Shaft speed	1,6 cm / sec	adjustable
Protection class	IP44	IP44
Starting capacitor	10 µF	-
Max thrust	3000 N	2000 N



UNIGATE - I

INVERTER technology

UNIGATE 2I (INVERTER)

- Digital control unit with LCD display
- Adjustable speed
- Adjustable acceleration/deceleration
- Continuous motor cycles
- High strength in slowdown
- Possibility to manage obstacle reverse

Integrated functions on the UNIGATE INVERTER

- 2 relay contacts
- 2 programmable GPIO outputs
- LE card on board for potentiometer
- Relay card on board
- PROBE heater card on board



- Management of two FV inverters for 2 motors or 2 PM modules for 4 motors
- Timer on board with buffer battery and management of 2 time bands
- 2 Ah switching transformer of which about 1.3 Ah free for other accessories

Advantages:

- + Duty cycles
- + Torque
- + Speed (adjustable)
- + one model 90V to 265V

ACCESSORIES



Battery kit with box



Mechanical stops (2 pcs)



Battery charger 800 mA with solar panel admin



20W solar panel + ESUN Q + battery 12 Ah



Adjustable back fixing bracket no welding (2 pcs)



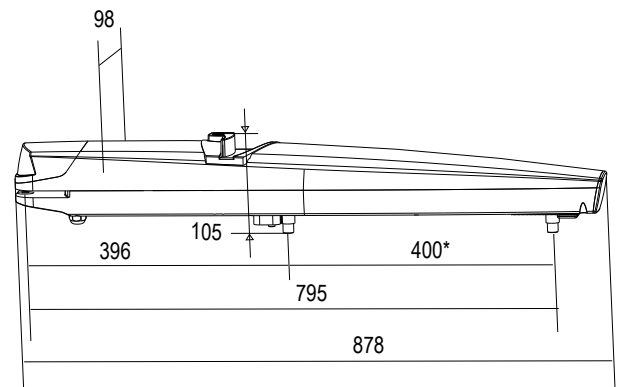
Adjustable front fixing bracket (2 pcs)



Din cylinder with variable coding and release lever



Bracket for external opening L 400 mm (2 pcs)



DIMENSIONS (mm)

* with mechanical stops